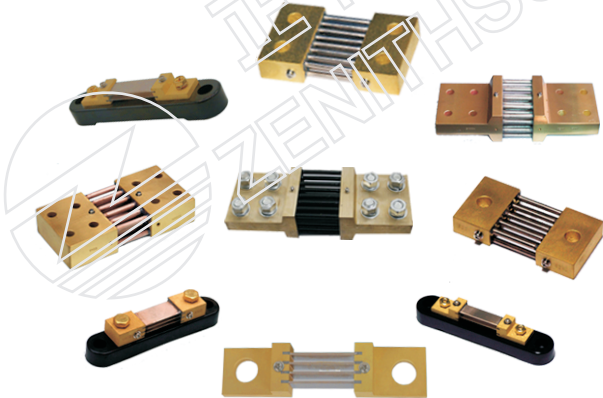


大功率分流器(High Current Precision Shunt Resistor)FL 25mV-100mV 1A-1500A

高精度, 温度系数低, 无感, 产品多样化
Small Size, Low T.C.R., Non-inductive & Diversification



产品特点 (Features)

材料(锰铜线, 棒, 板), 二端铜头及相关配件国内采购。为使产品接触性能良好及阻值更稳定, 产品不电镀(锡和镍), 而采用表面抗氧化处理, 使产品质量更好, 外观更直接。公司可按照客户提供的图纸和样品生产各种规格的分流器。
Materials (manganese copper wire, rod, plate), two end copper head and related accessories. In order to make the contact performance of the product good and the resistance value more stable, the product is not electroplated (tin and nickel), but the surface anti-oxidation treatment is adopted to make the product quality better and the appearance more clear.
Shunt resistors with various specifications according to the drawings and samples are available.

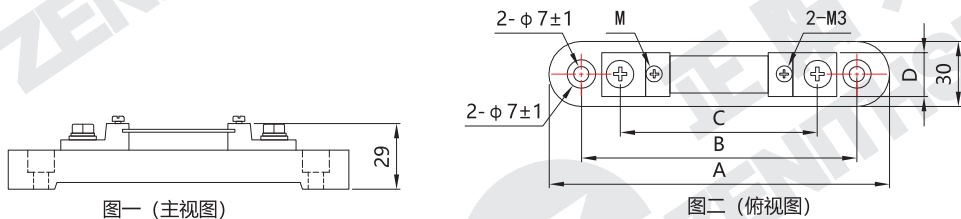
主要技术指标(Main Technical Indicators)

- 额定压降范围: 10mV~100mV。
Rated voltage drop scope: 10mV~100mV
- 环境条件: -40~+80°C, 相对湿度: ≤80% (35°C)。
Environment condition: -40~+80°C, Relative Humidity ≤80% (35°C)
- 温升: 额定电流下持续2小时温升变化趋于稳定后, 额定电流100A以下温升不超过80K; 额定电流100A以上温升不超过100K。
Temperature rise: the temperature rise changes become stable after 2 hours under the rated current, the temperature rise shall not exceed 80K under the rated current of 100A; the temperature rise shall not exceed 100K when the rated current is above 100A.
- 过负载性能: 120%额定电流值, 2小时。
Overload performance: 120% rated current, 2 hours.
- 热电势影响: 不超过等级指数的50%。
Thermoelectric effect: not more than 50% of the grade index.

适用范围 (Application)

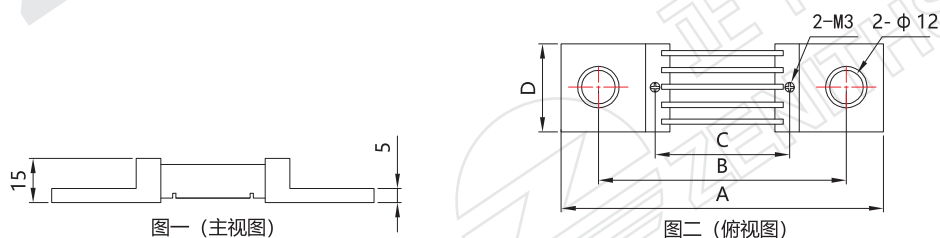
深圳市正阳兴电子的系列分流电阻生产周期为2-3周, 固定式定值分流器提供MV值, 用于电信通信设备、电动汽车、航空航天、充电站、电镀电源、仪器仪表、直流输变电等系统, 其电流与MV的比例呈线性反应。
Production Time :2-3 weeks
The constant value shunt resistor providing MV value, which is used in telecommunications and communication equipment, electric vehicles, aerospace, charging stations, electroplating power supply, instruments and meters, DC power transmission and transformation and other systems, the proportion of current and MV is linear.

产品尺寸图表FL 1A-300A (Dimension Chart)



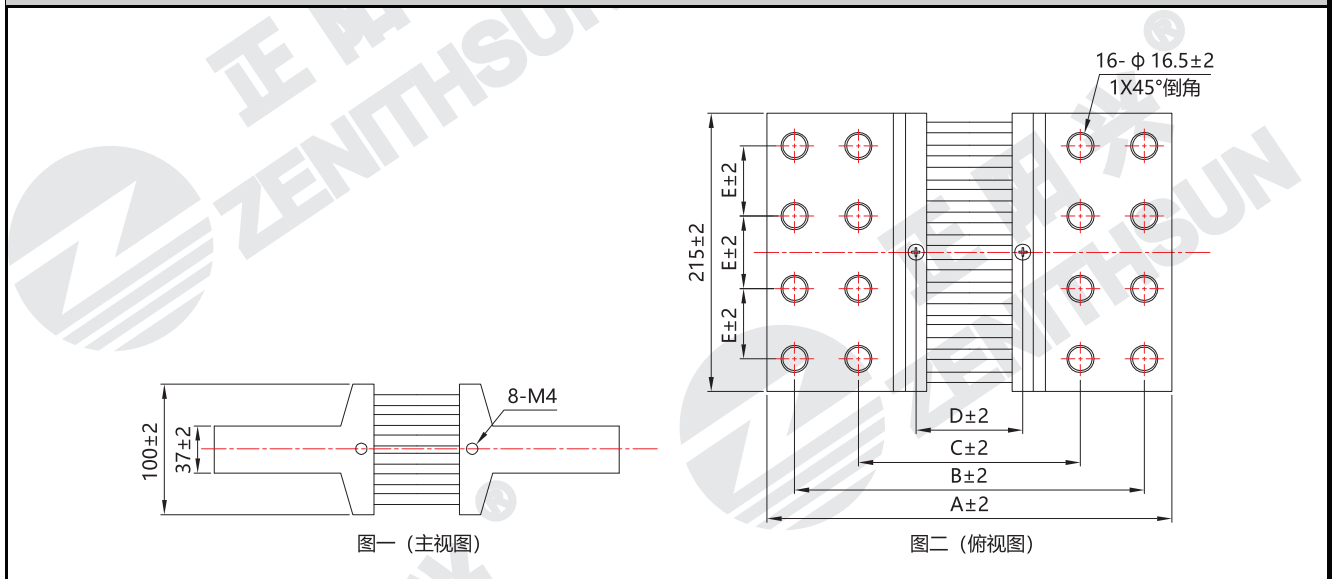
系列 Series	电压 Voltage	电流范围 Current Range	精度 Tolerance	尺寸 Dimensions(mm)					净重(g) N.W	温度系数 T.C.R	备注 Note
				A±1.5	B±1	C±1	D±1	M±1			
FL	25mV	1A-125A	D(±0.5%) C(±0.25%) B(±0.1%) F(±1%)	135	110	57	20	6	±50PPM ~ ±400PPM	如有特殊要求或者参数超出以上标准可协商供货 Any special requirements or the parameters exceed the above standards, contact us for more details.	
FL	25mV	150A-200A		135	110	57	28	8			
FL	25mV	250A-300A		135	110	57	28	8			
FL	50mV	1A-125A		135	110	72	20	6			
FL	50mV	150A-200A		135	110	72	28	8			
FL	50mV	250A-300A		135	110	72	28	8			
FL	60mV	1A-125A		150	125	84	20	6			
FL	60mV	150A-200A		150	125	84	28	8			
FL	60mV	250A-300A		150	125	84	28	8			
FL	75mV	1A-125A		150	125	88	20	6			
FL	75mV	150A-200A		150	125	88	28	8			
FL	75mV	250A-300A		150	125	88	28	8			
FL	100mV	1A-125A		150	125	102	20	6			
FL	100mV	150A-200A		150	125	102	28	8			
FL	100mV	250A-300A		150	125	102	28	8			

产品尺寸图表FL 400A-600A (Dimension Chart)



系列 Series	电压 Voltage	电流范围 Current Range	精度 Tolerance	尺寸 Dimensions(mm)					净重(g) N.W	温度系数 T.C.R	备注 Note
				A±2	B±2	C±2	D±2	E±0.5			
FL	25mV	5000A	D(±0.5%) C(±0.25%) B(±0.1%) F(±1%)	270	189	130	54	126	±50PPM ~ ±400PPM	如有特殊要求或者参数超出以上标准可协商供货 Any special requirements or the parameters exceed the above standards, contact us for more details .	
FL	25mV	5500A		270	189	130	54	126			
FL	25mV	6000A		270	189	130	54	135			
FL	25mV	7500A		270	189	130	54	180			
FL	25mV	8000A		270	189	130	54	180			
FL	50mV	5000A		292	252	152	68	126			
FL	50mV	5500A		292	252	152	68	126			
FL	50mV	6000A		292	252	152	68	135			
FL	50mV	7500A		292	252	152	68	180			
FL	50mV	8000A		292	252	152	68	180			
FL	60mV	5000A		300	260	160	76	126			
FL	60mV	5500A		300	260	160	76	126			
FL	60mV	6000A		300	260	160	76	135			
FL	60mV	7500A		300	260	160	76	180			
FL	60mV	8000A		300	260	160	76	180			
FL	75mV	5000A		313	273	173	89	126			
FL	75mV	5500A		313	273	173	89	126			
FL	75mV	6000A		313	273	173	89	135			
FL	75mV	7500A		313	273	173	89	180			
FL	75mV	8000A		313	273	173	89	180			
FL	100mV	5000A		335	295	195	111	126			
FL	100mV	5500A		335	295	195	111	126			
FL	100mV	6000A		335	295	195	111	135			
FL	100mV	7500A		335	295	195	111	180			
FL	100mV	8000A		335	295	195	111	180			

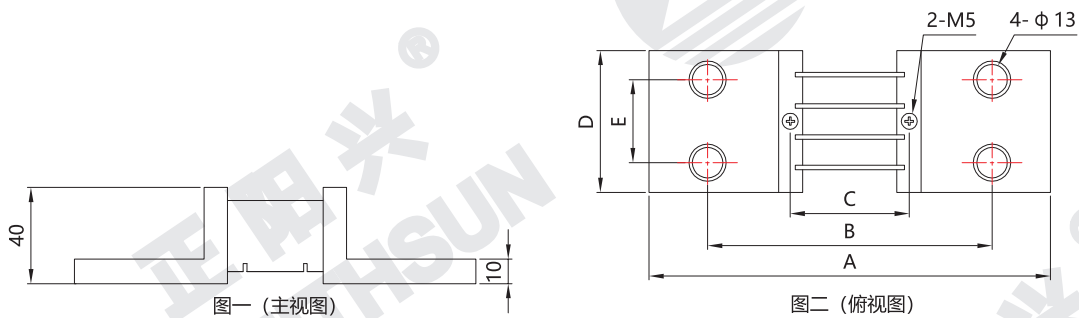
■ 产品尺寸图表FL 10000A-15000A (Dimension Chart)



系列 Series	电压 Voltage	电流范围 Current Range	精度 Tolerance	尺寸 Dimensions(mm)					净重(g) N.W	温度系数 T.C.R	备注 Note
				A±2	B±2	C±2	D±2	E±2			
FL	25mV	10000A	D(±0.5%) C(±0.25%) B(±0.1%) F(±1%)	270	189	130	54	50	±50PPM ~ ±400PPM	如有特殊要求或者参数超出以上标准可协商供货 Any special requirements or the parameters exceed the above standards, contact us for more details .	
FL	25mV	12000A		270	189	130	54	50			
FL	25mV	15000A		270	189	130	54	55			
FL	50mV	10000A		292	252	152	68	50			
FL	50mV	12000A		292	252	152	68	50			
FL	50mV	15000A		292	252	152	68	55			
FL	60mV	10000A		300	260	160	76	50			
FL	60mV	12000A		300	260	160	76	50			
FL	60mV	15000A		300	260	160	76	55			
FL	75mV	10000A		313	273	173	89	50			
FL	75mV	12000A		313	273	173	89	50			
FL	75mV	15000A		313	273	173	89	55			
FL	100mV	10000A		335	295	195	111	50			
FL	100mV	12000A		335	295	195	111	50			
FL	100mV	15000A		335	295	195	111	55			

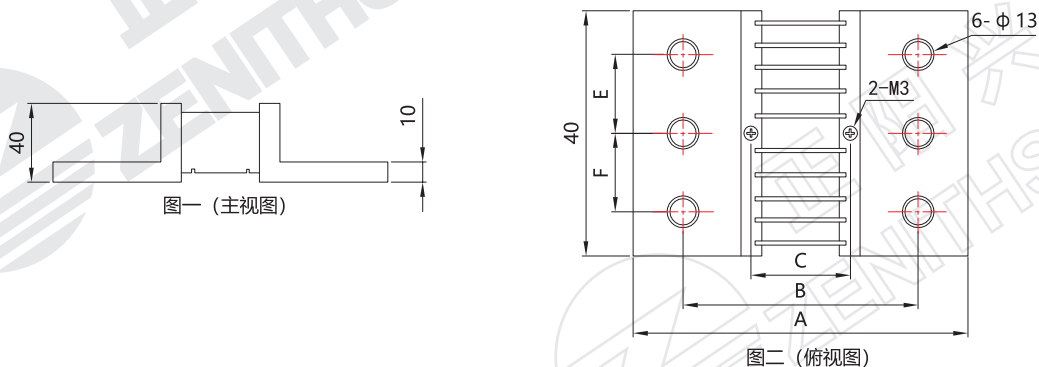
系列 Series	电压 Voltage	电流范围 Current Range	精度 Tolerance	尺寸 Dimensions(mm)				净重(g) N.W	温度系数 T.C.R	备注 Note
				A±1.5	B±1	C±1	D±1			
FL	25mV	400A	D(±0.5%) C(±0.25%) B(±0.1%) F(±1%)	87	62	22	25	±50PPM ~ ±400PPM	如有特殊要求或者参数超出以上标准可协商供货 Any special requirements or the parameters exceed the above standards, contact us for more details .	
FL	25mV	500A		87	62	22	30			
FL	25mV	600A		87	62	22	40			
FL	50mV	400A		100	75	35	20			
FL	50mV	500A		100	75	35	30			
FL	50mV	600A		100	75	35	40			
FL	60mV	400A		105	80	40	20			
FL	60mV	500A		105	80	40	30			
FL	60mV	600A		105	80	40	40			
FL	75mV	400A		110	85	45	20			
FL	75mV	500A		110	85	45	30			
FL	75mV	600A		110	85	45	40			
FL	100mV	400A		126	101	61	20			
FL	100mV	500A		126	101	61	30			
FL	100mV	600A		126	101	61	40			

■ 产品尺寸图表FL 800A-1500A (Dimension Chart)



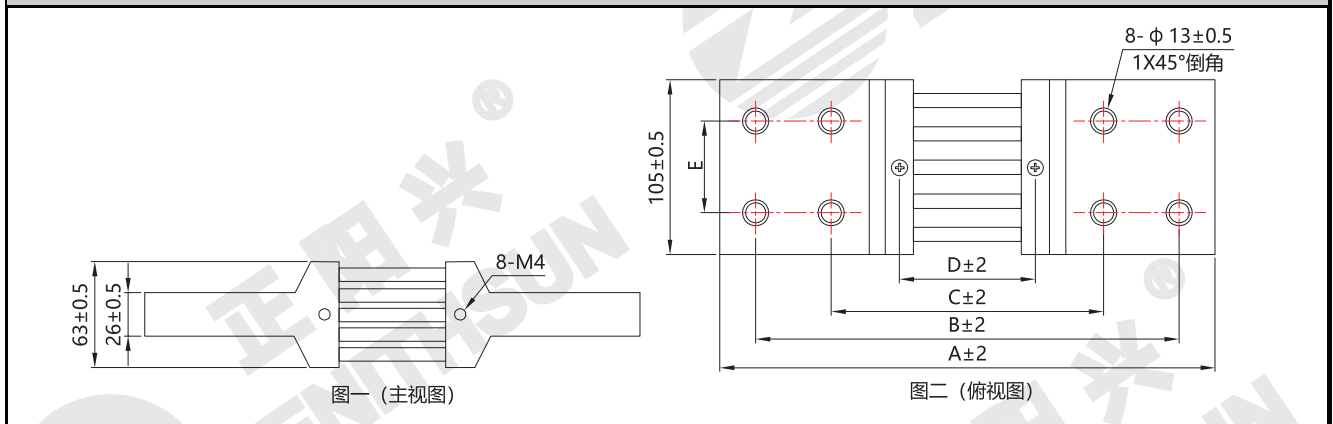
系列 Series	电压 Voltage	电流范围 Current Range	精度 Tolerance	尺寸 Dimensions(mm)					净重(g) N.W	温度系数 T.C.R	备注 Note
				A±1.5	B±1	C±1	D±1	E±1			
FL	25mV	800A-1000A	D(±0.5%) C(±0.25%) B(±0.1%) F(±1%)	143	93	23	60	40	±50PPM ~ ±400PPM	如有特殊要求或者参数超出以上标准可协商供货 Any special requirements or the parameters exceed the above standards, contact us for more details .	
FL	25mV	1200A		143	93	23	80	45			
FL	25mV	1500A		143	93	23	100	50			
FL	50mV	800A-1000A		157	107	37	60	40			
FL	50mV	1200A		157	107	37	80	45			
FL	50mV	1500A		157	107	37	100	50			
FL	60mV	800A-1000A		162	112	42	60	40			
FL	60mV	1200A		162	112	42	80	45			
FL	60mV	1500A		162	112	42	100	45			
FL	75mV	800A-1000A		170	120	50	60	40			
FL	75mV	1200A		170	120	50	80	45			
FL	75mV	1500A		170	120	50	100	50			
FL	100mV	800A-1000A		184	134	64	60	40			
FL	100mV	1200A		184	134	64	80	45			
FL	100mV	1500A		184	134	64	100	50			

■ 产品尺寸图表FL 2000A-3000A (Dimension Chart)



系列 Series	电压 Voltage	电流范围 Current Range	精度 Tolerance	尺寸 Dimensions(mm)						净重(g) N.W	温度系数 T.C.R	备注 Note
				A±1.5	B±1	C±1	D±1	E±1	F±1			
FL	25mV	2000A	D(±0.5%) C(±0.25%) B(±0.1%) F(±1%)	143	93	23	125	40	40	±50PPM ~ ±400PPM	如有特殊要求或者参数超出以上标准可协商供货 Any special requirements or the parameters exceed the above standards, contact us for more details.	
FL	25mV	2500A		143	93	23	135	45	45			
FL	25mV	3000A		143	93	23	145	50	50			
FL	50mV	2000A		157	107	37	125	40	40			
FL	50mV	2500A		157	107	37	135	45	45			
FL	50mV	3000A		157	107	37	145	50	50			
FL	60mV	2000A		162	112	42	125	40	40			
FL	60mV	2500A		162	112	42	135	45	45			
FL	60mV	3000A		162	112	42	145	50	50			
FL	75mV	2000A		170	120	50	125	40	40			
FL	75mV	2500A		170	120	50	135	45	45			
FL	75mV	3000A		170	120	50	145	50	50			
FL	100mV	2000A		184	134	64	125	40	40			
FL	100mV	2500A		184	134	64	135	45	45			
FL	100mV	3000A		184	134	64	145	50	50			

■ 产品尺寸图表FL 3000A-4000A (Dimension Chart)



系列 Series	电压 Voltage	电流范围 Current Range	精度 Tolerance	尺寸 Dimensions(mm)					净重(g) N.W	温度系数 T.C.R	备注 Note
				A±2	B±2	C±2	D±2	E±0.5			
FL	25mV	3000A	D(±0.5%) C(±0.25%) B(±0.1%) F(±1%)	254	211	121	95	50	±50PPM ~ ±400PPM	如有特殊要求或者参数超出以上标准可协商供货 Any special requirements or the parameters exceed the above standards, contact us for more details.	
FL	25mV	3500A		254	211	121	95	50			
FL	25mV	4000A		254	211	121	110	55			
FL	50mV	3000A		273	232	142	95	50			
FL	50mV	3500A		273	232	142	95	50			
FL	50mV	4000A		273	232	142	110	55			
FL	60mV	3000A		281	241	151	95	50			
FL	60mV	3500A		281	241	151	95	50			
FL	60mV	4000A		281	241	151	110	55			
FL	75mV	3000A		298	255	165	95	50			
FL	75mV	3500A		298	255	165	95	50			
FL	75mV	4000A		298	255	165	110	55			
FL	100mV	3000A		319	276	186	95	50			
FL	100mV	3500A		319	276	186	95	50			
FL	100mV	4000A		319	276	186	110	55			

■ 产品尺寸图表FL 5000A-8000A (Dimension Chart)

